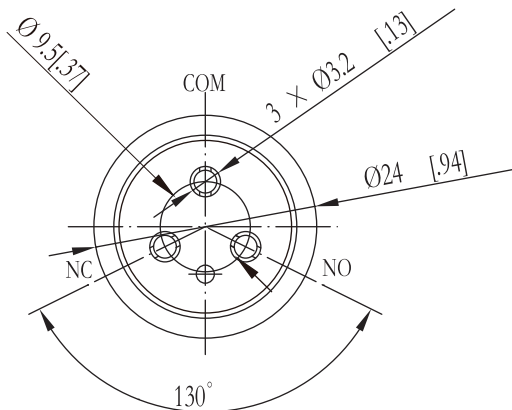
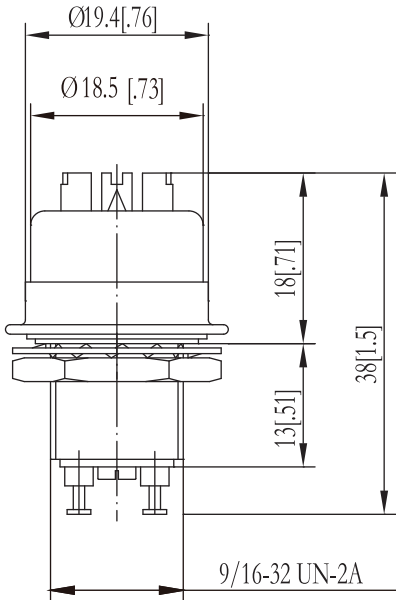




GREENSTONE (USA), INC.
 971 Corporate Way, Fremont, CA 94539, USA
 Tel:(510)683 9328, Fax: (510) 683-9313
 E-mail: jamal@greenstoneusa.com
www.greenstoneusa.com

HV Relays

VHC5



PRODUCT SPECIFICATIONS

Item	VHC5	
Contact Form	C	
Contact Arrangement	SPDT	
Maximum Peak Test Voltage, Contacts and to Base (15µA Leak Current Max.) dc or 60Hz (kV)	5	
Contact Material (moveable/stationary)	molybdenum/tungsten	
Dielectric	Inert gas	
Maximum Peak Operating Voltage, Contacts and to Base (kV) (15µA Leak Current Max.)	dc or 60Hz	3.5
	2.5MHz	
	16MHz	
	32MHz	
Current, Load Switching	Contact factory	
Current, Continuous Carry Max (A)	dc or 60Hz	8
	2.5MHz	
	13.56MHz	
	32MHz	
Coil Hi-Pot (V RMS, 60 Hz)	500	
Capacitance Max (pF)	Across Open Contacts	
	Contacts to Ground	
Operate Time Max (ms)	6	
Release Time Max (ms)	6	
Resistance, Contact Max @ 1A, 28 Vdc (Ω)	0.5	
Operating Temperature Ambient (°C)	-55 ~ +125	
Vibration, Operating, Sine (10-2000 Hz Peak) (G's)	10	
Shock, Operating, 1/2 Sine 11ms (Peak) (G's)	50	
Life, Mechanical (Cycles)	2 million	
Weight, Nominal (g(oz))	28(1)	

COIL RATINGS

Nominal, Volts dc	12	26.5	115
Pull-in, Volts dc, Max.	8	16	80
Drop-out, Volts dc	.5~5	1~10	5~50
Coil Resistance (Ω ±10%)	80	335	6000
☆Ratings Listed are for 25°C, Sea Level Conditions			